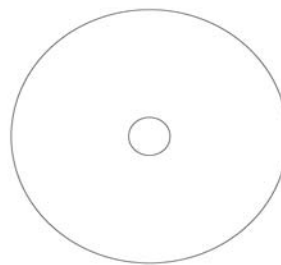
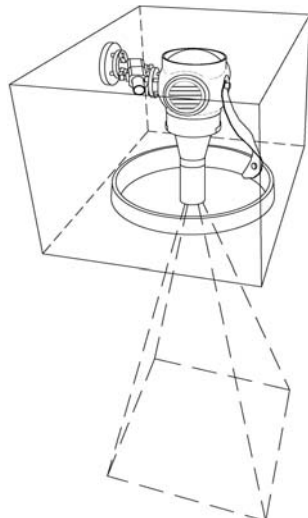
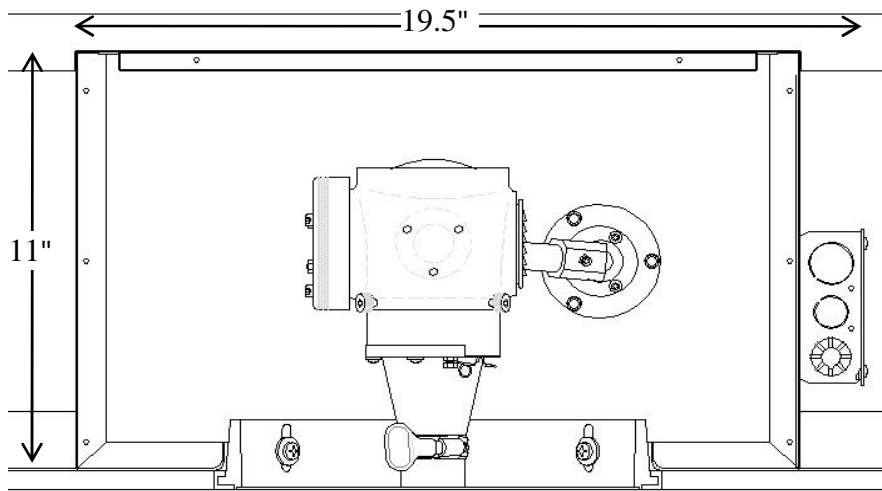
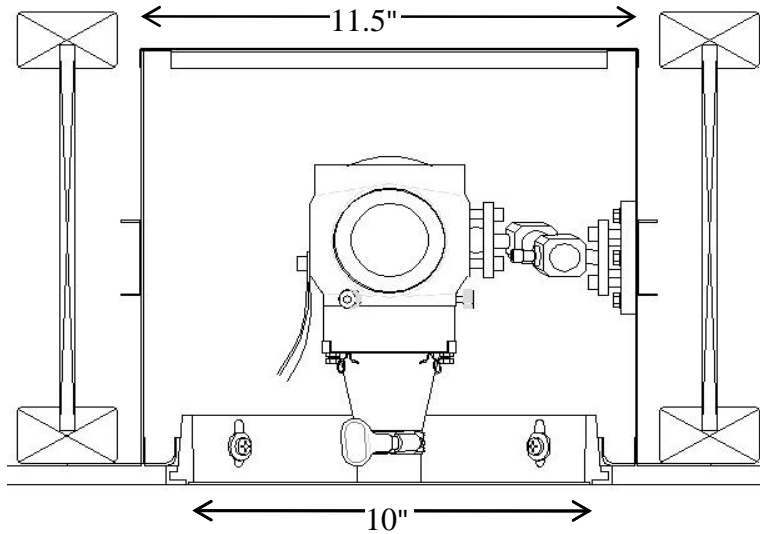


ML-2501-D-2


includes

Non IC Housing, Flush Access Panel, 250W Halogen Projector, and Gimble Mounting



Center hole cover plate

Projector Specifications

Description	Merlin Light® Precision optical framing projector
	
Catalog #	ML-2501-D-2
Rating	Non insulation contact.
UL 1598	Non airtite unless installed inside HOA or HOJ airtight Housing
Housing H1	20 Gage, powder coated, steel. Installed by qualified electrician. Orientate ballast toward Art Work.
Access Panel A1	Flush access panel. Cast aluminum mud ring for plaster or drywall, with 10" flush, white primer cover plate. Center hole.
Lamp L1	120 V power, 150 or 250 Watt Halogen Lamp. 100% Dimmable
Projector P1	Cast aluminum body with black anodize finish. Projector will be supplied and installed by a GlennCo Inc. or factory certified technician. Installer will make final installation and confinement on art object being illuminated.
Mounting M1	Gimble Mount and strap
Lens	Objective lens selected by installation technician.



652 W. Confluence Ave Salt Lake City, UT 84123
801-312-0150

www.merlinlights.com

*Copyright Protected, GlennCo INC. 2012

