

# ML-39C-D-3

includes  
IC Housing, Flush Access Panel, 39W CMH Projector, and Gimble Mounting

## Projector Specifications

Description Merlin Light® Precision optical framing projector



Catalog # ML-39C-D-3

Rating Insulation contact. Non  
UL 1598 airtite unless installed  
inside HOA or HOJ

Housing 20 Gage, powder coated,  
H1 steel. Installed by qualified  
electrician. Orientate  
ballast toward Art Work.

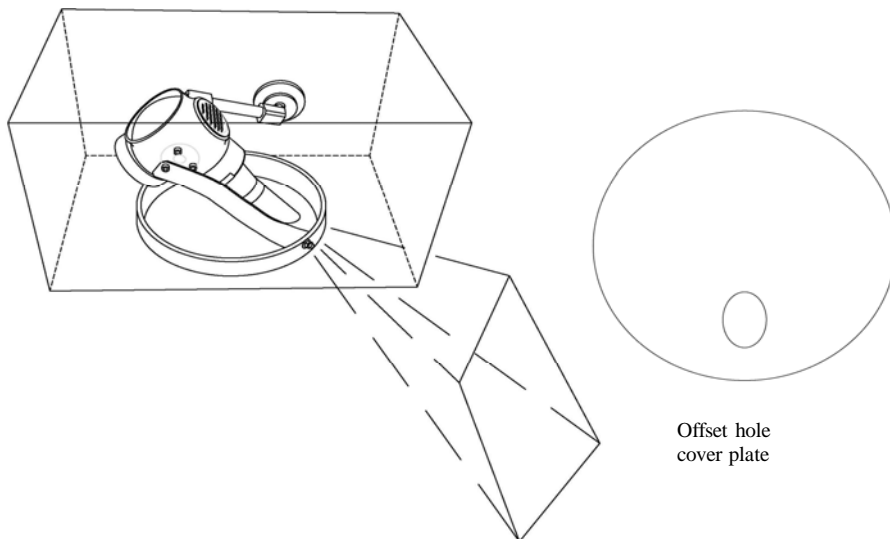
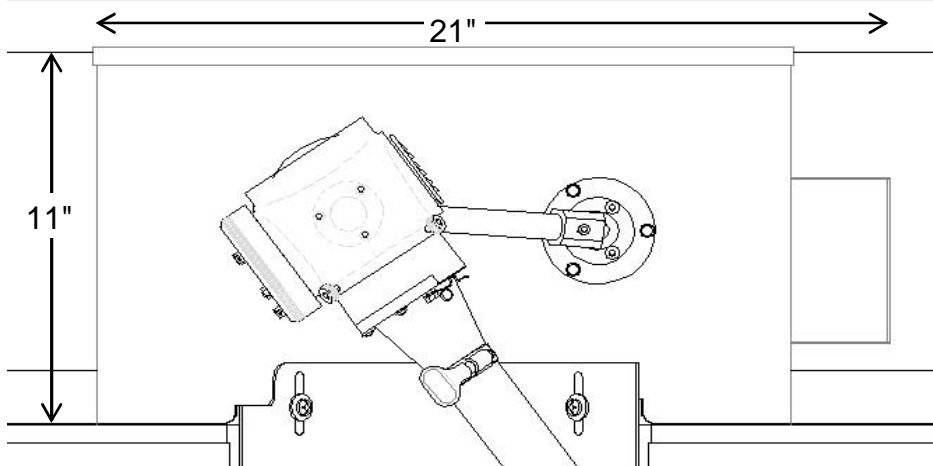
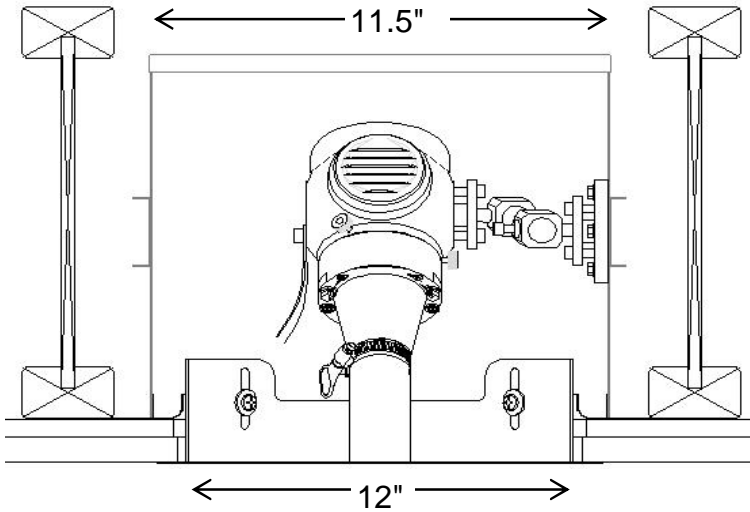
Access Panel Overlap access panel. Steel  
A2 collar for wood, drop or  
thick ceilings, with 12",  
overlapping, white primer  
cover plate. Offset hole.

Lamp and 39 Watt Ceramic Metal  
Ballast Halide Lamp and 39W,  
L4 120/277 VAC electronic  
ballast, non-dimmable.  
Time delay on hot restart.

Projector Cast aluminum body with  
P1 black anodize finish.  
Projector will be supplied  
and installed by a GlennCo  
Inc. or factory certified  
technician. Installer will  
make final installation and  
confinement on art object  
being illuminated.

Mounting Gimble Mount and strap  
M1

Lens Objective lens selected by  
installation technician.



Offset hole  
cover plate



652 W. Confluence Ave Salt Lake City, UT 84123  
801-312-0150

[www.merlinlights.com](http://www.merlinlights.com)

\*Copyright Protected, GlennCo INC. 2012

