


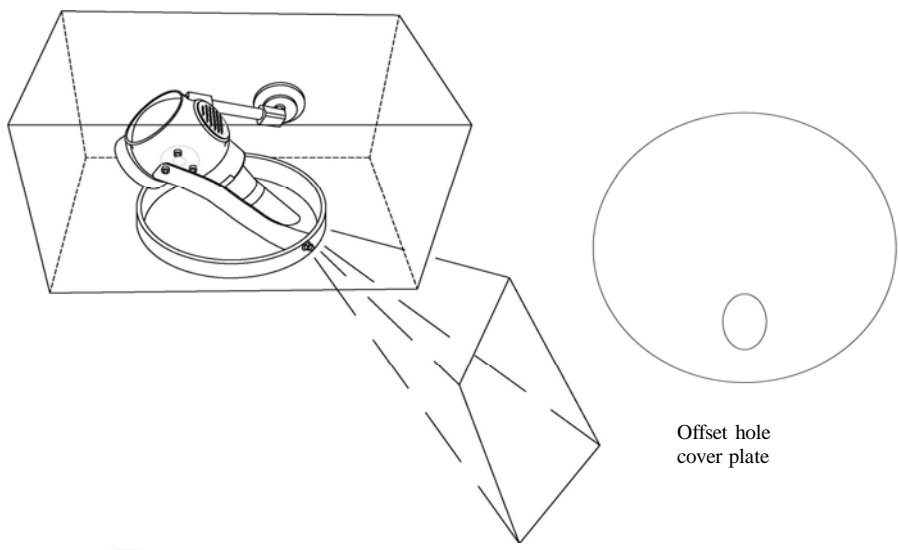
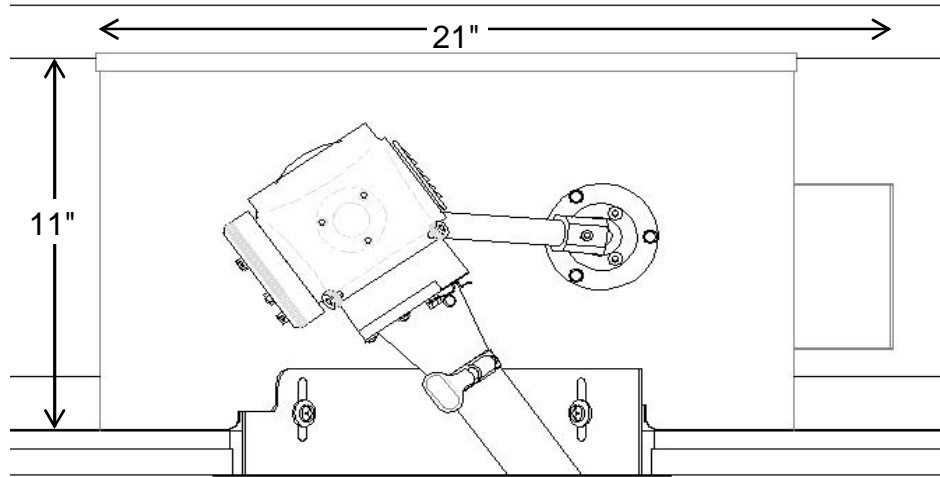
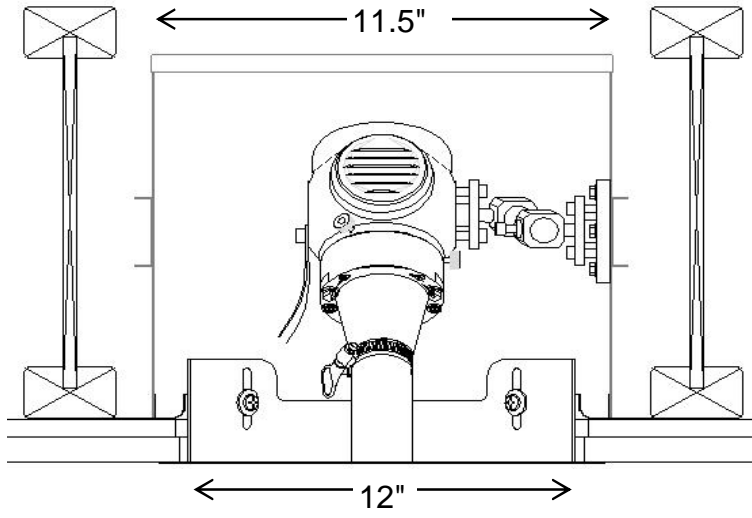
# ML-70C-3

includes

Non IC Housing, Overlap Access Panel, 70W CMH Projector, and Gimble Mounting

## Projector Specifications

Description	Merlin Light® Precision optical framing projector
	
Catalog #	ML-70C-3
Rating	Non insulation contact.
UL 1598	Non airtite unless installed inside HOA or HOJ
Housing	20 Gage, powder coated, steel. Installed by qualified electrician. Orientate ballast toward Art Work.
H1	
Access Panel	Overlap access panel. Steel collar for wood, drop or thick ceilings, with 12", overlapping, white primer cover plate. Offset hole.
A2	
Lamp and Ballast	70 Watt Ceramic Metal Halide Lamp and 70W, 120/277 VAC electronic ballast, dimmable to 50%. Time delay on hot restart.
L2	
See wiring detail sheet	0-10V wiring and interface required for dimming
Projector	Cast aluminum body with black anodize finish. Projector will be supplied and installed by a GlennCo Inc. or factory certified technician. Installer will make final installation and confinement on art object being illuminated.
P1	
Mounting	Gimble Mount and strap
M1	
Lens	Objective lens selected by installation technician.



Offset hole cover plate



652 W. Confluence Ave Salt Lake City, UT 84123  
 801-312-0150  
 www.merlinlights.com  
 \*Copyright Protected, GlennCo INC. 2012

