

ML-AT-150C-D-4

includes

AT-Non IC Housing, Overlap Access Panel, 150W CMH Projector, and Gimble Mounting

Projector Specifications

Description Merlin Light® Precision optical framing projector



Catalog # ML-AT-150C-D-4

Rating Non insulation contact.
UL 1598 Airtite rated per ASTM E283-4

Housing 20 Gage, powder coated, steel. Installed by qualified electrician. Orientate ballast toward Art Work.
HOJ-H2

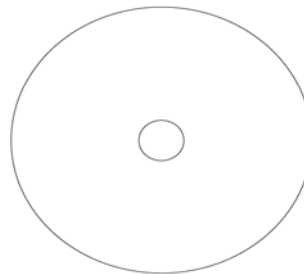
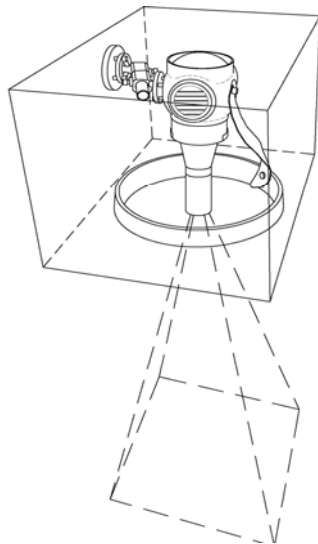
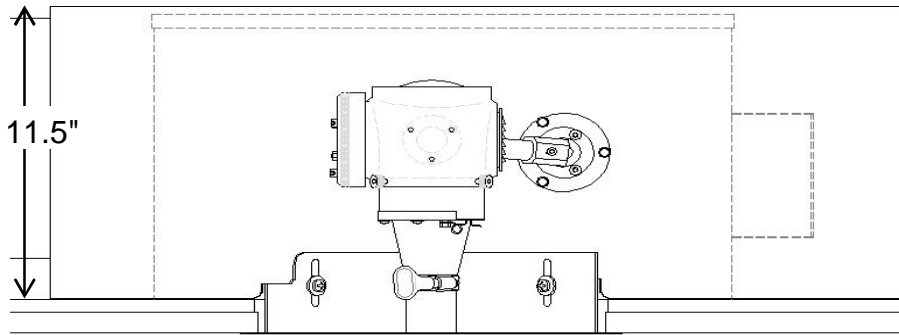
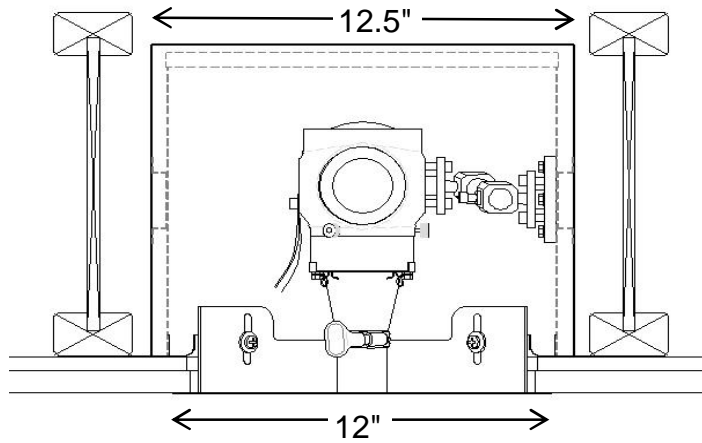
Access Panel Overlap access panel. Steel collar for wood, drop or thick ceilings, with 12", overlapping, white primer cover plate. Center hole.
A2

Lamp and Ballast 150 Watt Ceramic Metal Halide Lamp and 150W, 120/277 VAC electronic ballast, dimmable to 50%. Time delay on hot restart. 0-10V wiring and interface required for dimming
L3

Projector Cast aluminum body with black anodize finish. Projector will be supplied and installed by a GlennCo Inc. or factory certified technician. Installer will make final installation and confinement on art object being illuminated.
P1

Mounting Gimble Mount and strap
M1

Lens Objective lens selected by installation technician.



Center hole cover plate



652 W. Confluence Ave Salt Lake City, UT 84123
801-312-0150

www.merlinlights.com

*Copyright Protected, GlennCo INC. 2012

