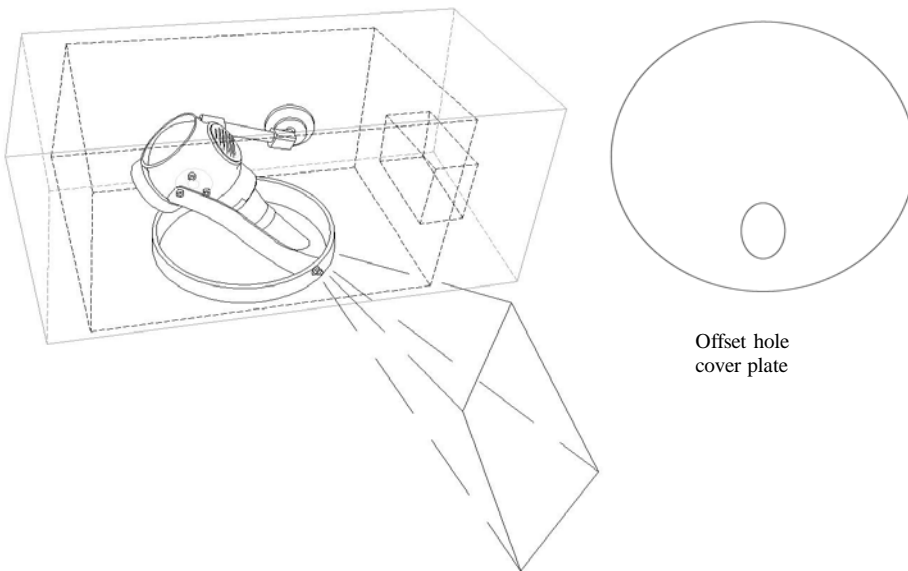
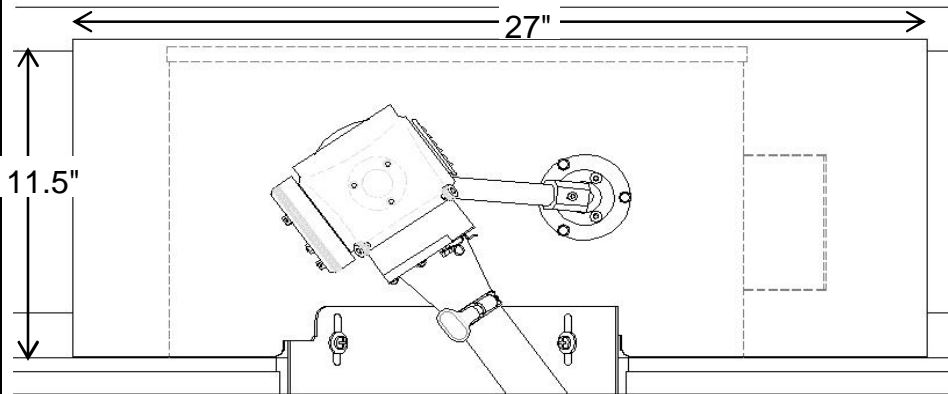
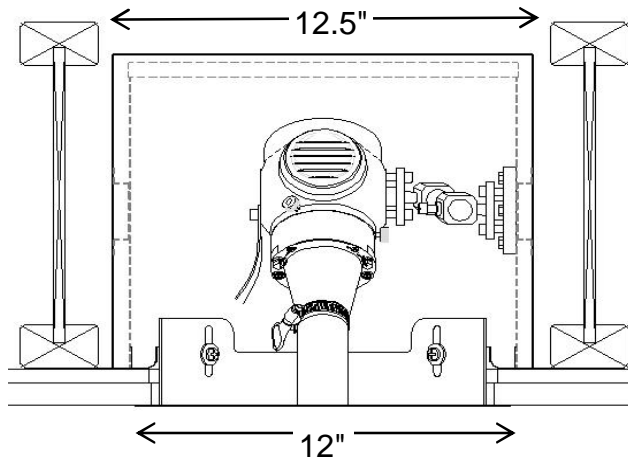


# ML-AT-70C-3

includes

IC/AT Housing, Overlap Access Panel, 70W CMH Projector, and Gimble Mounting



Offset hole cover plate

## Projector Specifications

|                         |   |
|-------------------------|---|
| Description             | Merlin Light® Precision optical framing projector   |
| Catalog #               | ML-AT-70C-3   |
| Rating                  | Insulation Contact and Airtite rated per UL 1598 and ASTM E283-04   |
| Housing HOJ-H2          | 20 Gage, powder coated, steel. Installed by qualified electrician. Orientate ballast toward Art Work.   |
| Access Panel A2         | Overlap access panel. Steel collar for wood, drop or thick ceilings, with 12", overlapping, white primer cover plate. Offset hole.  |
| Lamp and Ballast L2     | 70 Watt Ceramic Metal Halide Lamp and 70W, 120/277 VAC electronic ballast, dimmable to 50%. Time delay on hot restart.  |
| See wiring detail sheet | 0-10V wiring and interface required for dimming   |
| Projector P1            | Cast aluminum body with black anodize finish. Projector will be supplied and installed by a GlennCo Inc. or factory certified technician. Installer will make final installation and confinement on art object being illuminated. |
| Mounting M1             | Gimble Mount and strap  |
| Lens                    | Objective lens selected by installation technician.   |



652 W. Confluence Ave Salt Lake City, UT 84123  
801-312-0150

www.merlinlights.com

\*Copyright Protected, GlennCo INC. 2012

