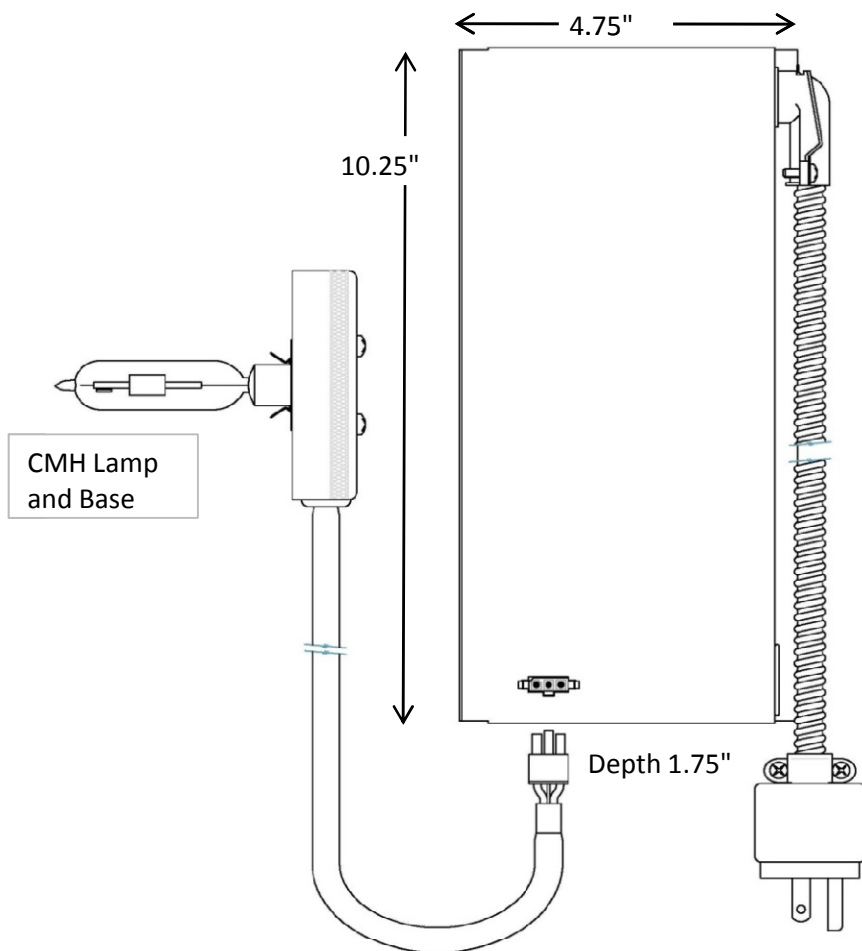


ML-RK-70

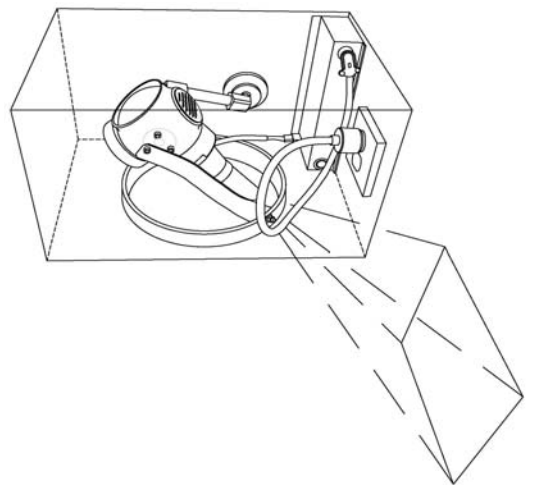
includes
Enclosure, 70W Non Dimmable Ballast, 70W CMH Lamp and Lamp Base.



| Projector Specifications | |
|--------------------------|---|
| Description | Merlin Light® Retro Kit to convert Halogen to CMH lamping. Patent Pending |
| Catalog # | ML-RK-70 |
| Rating | Install inside existing Merlin Light® Housing |
| UL 1598 | 20 Gage, powder coated, steel. Installed by qualified electrician Orient ballast toward art. |
| Enclosure L-BC | 70 Watt Ceramic Metal Halide Lamp and 70W, 120/277 VAC electronic ballast, non dimmable. Time delay on hot restart. |
| Lamp and Ballast L2 | See wiring detail sheet |
| Mounting | Screws through flanges, see instructions. |

Comparison points; 70W CMH versus Halogen

| Properties | CMH 70 watt | Halogen 250 watt |
|---------------------------------|-------------------|---------------------|
| 1. External housing temperature | 98 deg | 145 deg |
| 2. Projector body temperature | 125 deg | 410 deg |
| 3. Approximate lumens | 6,200 | 5,000 |
| 4. Average rated life | 15,000 hrs. | 2,000 hrs. |
| 5. CRI | 83 | 100 |
| 6. K = Color temperature | 3000K | 2950K |
| 7. Start time | 3 min to 90% | instant |
| 8. Restart time | 15 min. cool down | instant |
| 9. IC/AT Housing | Yes | No |
| 10. Dimmable | Yes to 50% | Yes 100% |
| 11. Input voltage | 120/277VAC | 120VAC |



652 W. Confluence Ave Salt Lake City, UT 84123

801-312-0150

www.merlinlights.com

*Copyright Protected, GlennCo INC, 2012

