

# ML-SM-70C-4

includes  
70 Watt CMH Projector, and Swivel Mount

## Projector Specifications

Description Merlin Light® Precision optical framing projector



Catalog # ML-SM-70C-4

Application Surface mount for all models of Merlin Light where an exposed projector is desired.

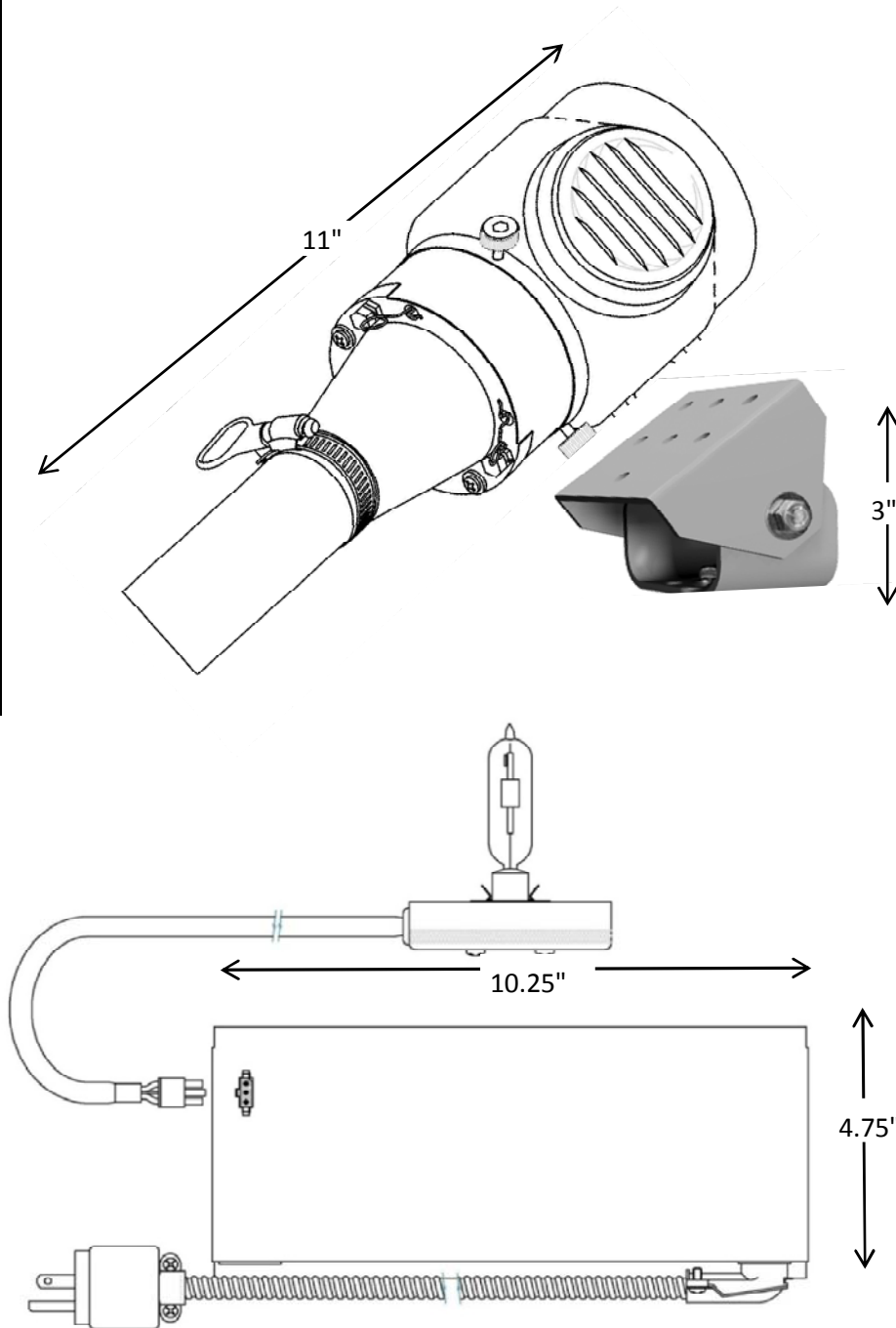
Lamp & Base 70 Watt Ceramic Metal Halide Lamp  
L2-R

Remote Ballast 70 Watt Ceramic Metal Halide Lamp and 70W, 120/277 VAC electronic ballast, dimmable to 50%. Time delay on hot restart. See wiring detail sheet 0-10V wiring and interface required for dimming

Projector P1 Cast aluminum body with black anodize finish. Projector will be supplied and installed by a GlennCo Inc. or factory certified technician. Installer will make final installation and confinement on art object being illuminated.

Mounting Swivel Mount  
M3

Lens Objective lens selected by installation technician.



652 W. Confluence Ave Salt Lake City, UT 84123  
801-312-0150

[www.merlinlights.com](http://www.merlinlights.com)

\*Copyright Protected, GlennCo INC. 2012

