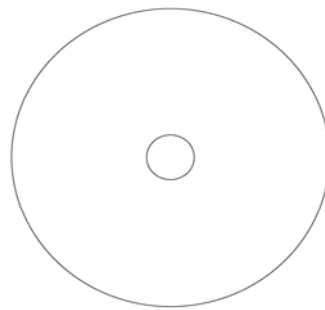
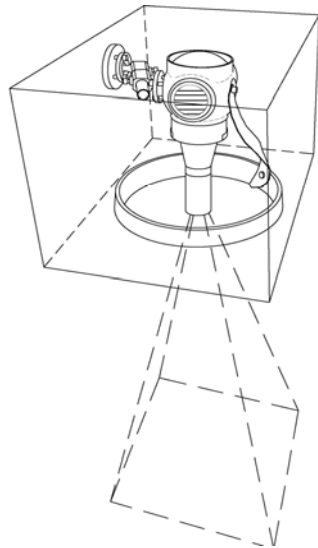
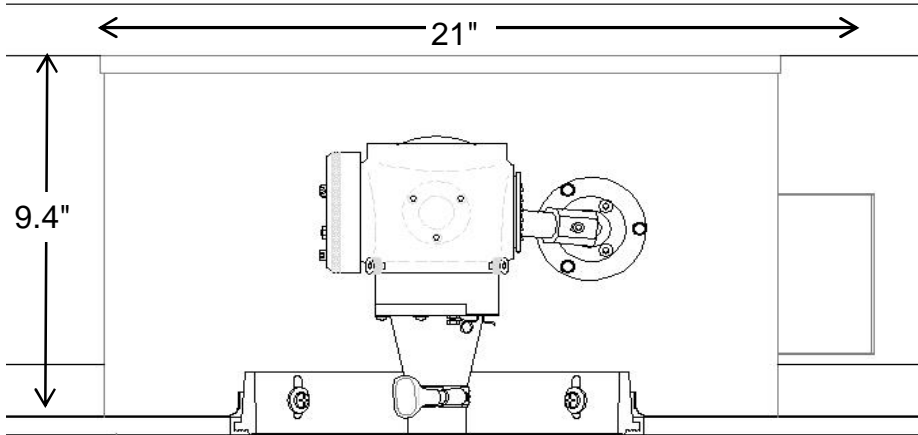
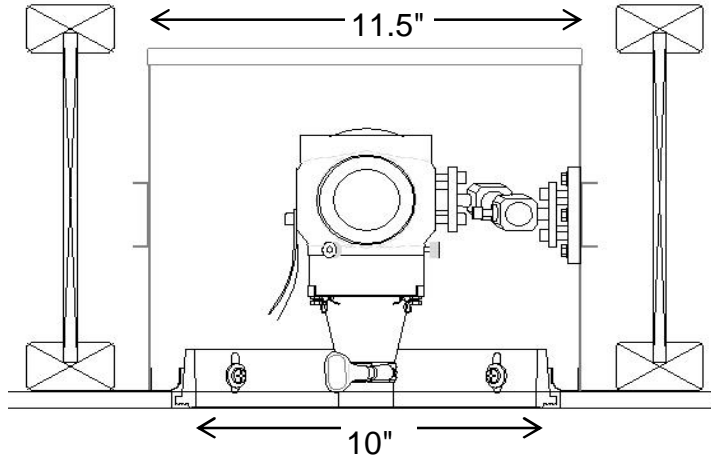



MLS-39C-D-2

includes
IC Housing, Flush Access Panel, 39W CMH Projector, and Gimble Mounting



Center hole
cover plate

Projector Specifications

Description	Merlin Light® Precision optical framing projector
	
Catalog #	MLS-39C-D-2
Rating UL 1598	Insulation contact. Non airtite unless installed inside HOA or HOJ
Housing H1	20 Gage, powder coated, steel. Installed by qualified electrician. Orientate ballast toward Art Work.
Access Panel A1	Flush access panel. Cast aluminum mud ring for plaster or drywall, with 10" flush, white primer cover plate. Center hole.
Lamp and Ballast L4	39 Watt Ceramic Metal Halide Lamp and 39W, 120/277 VAC electronic ballast, non-dimmable. Time delay on hot restart.
Projector P1	Cast aluminum body with black anodize finish. Projector will be supplied and installed by a GlennCo Inc. or factory certified technician. Installer will make final installation and confinement on art object being illuminated.
Mounting M1	Gimble Mount and strap
Lens	Objective lens selected by installation technician.



652 W. Confluence Ave Salt Lake City, UT 84123
801-312-0150

www.merlinlights.com

*Copyright Protected, GlennCo INC. 2012



A GLENN JOHNSON COMPANY