

MLS-39C-D-3

includes
IC Housing, Flush Access Panel, 39W CMH Projector, and Gimble Mounting

Projector Specifications

Description Merlin Light® Precision optical framing projector



Catalog # MLS-39C-D-3

Rating Insulation contact. Non
UL 1598 airtite unless installed
inside HOA or HOJ

Housing 20 Gage, powder coated,
H1 steel. Installed by qualified
electrician. Orientate
ballast toward Art Work.

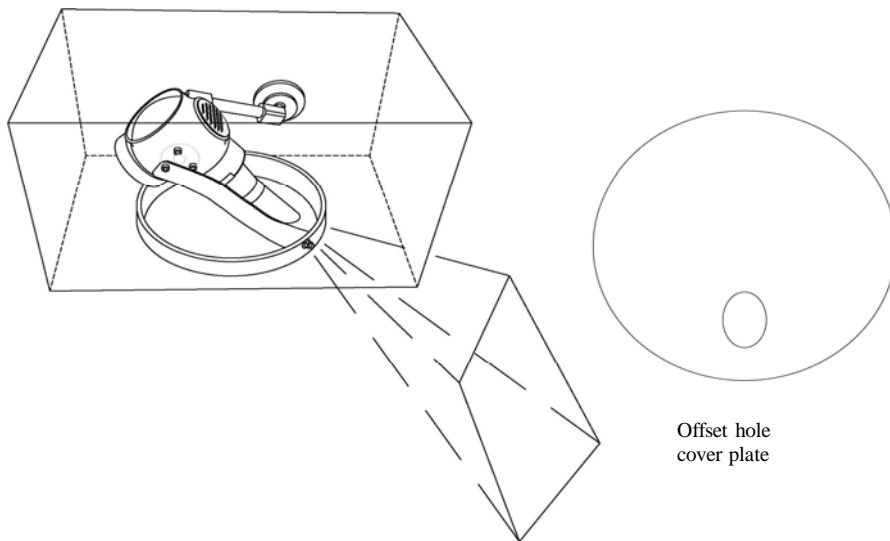
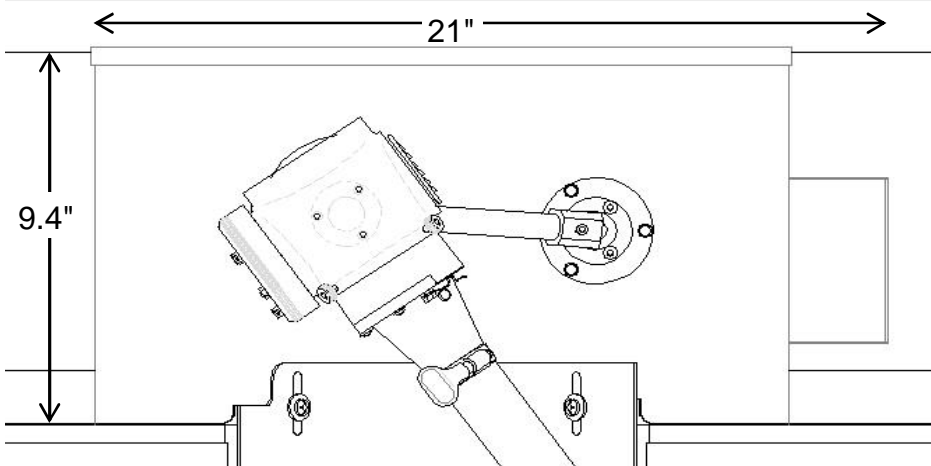
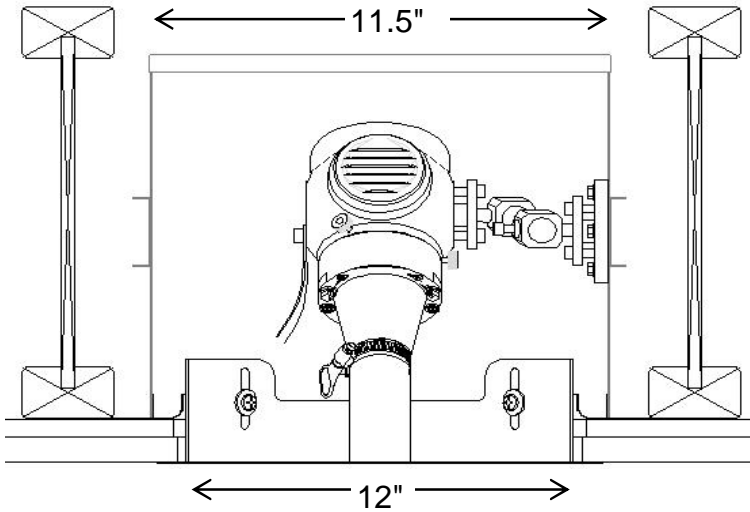
Access Panel Overlap access panel. Steel
A2 collar for wood, drop or
thick ceilings, with 12",
overlapping, white primer
cover plate. Offset hole.

Lamp and 39 Watt Ceramic Metal
Ballast Halide Lamp and 39W,
L4 120/277 VAC electronic
ballast, non-dimmable.
Time delay on hot restart.

Projector Cast aluminum body with
P1 black anodize finish.
Projector will be supplied
and installed by a GlennCo
Inc. or factory certified
technician. Installer will
make final installation and
confinement on art object
being illuminated.

Mounting Gimble Mount and strap
M1

Lens Objective lens selected by
installation technician.



652 W. Confluence Ave Salt Lake City, UT 84123
801-312-0150

www.merlinlights.com
*Copyright Protected, GlennCo INC. 2012

