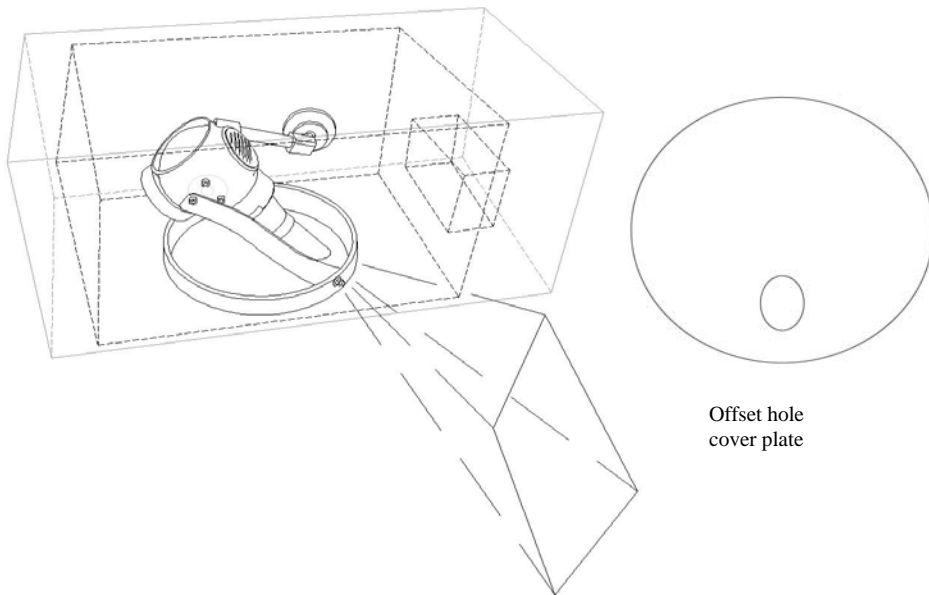
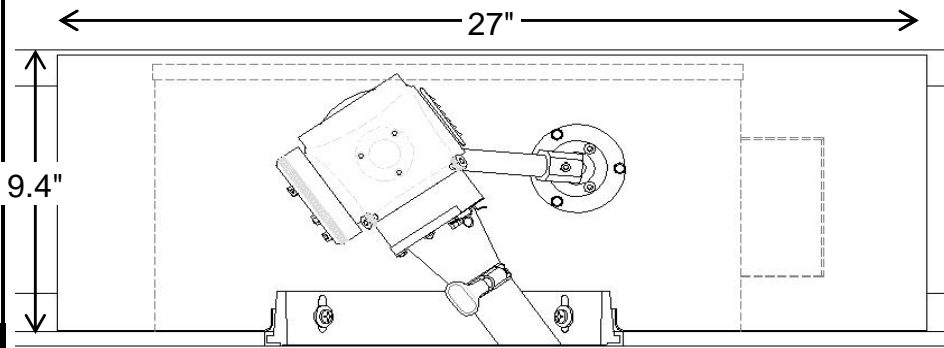
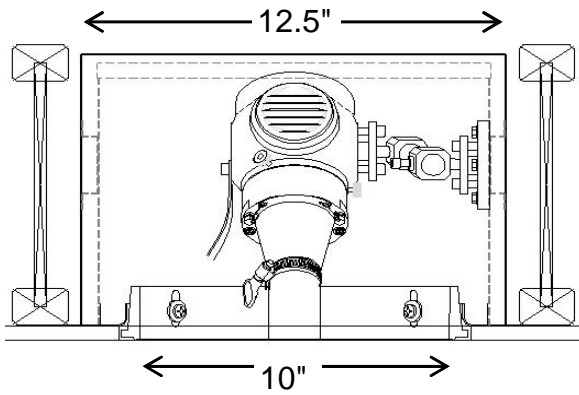



# MLS-AT-39C-D-1

includes  
IC/AT Housing, Flush Access Panel, 39 Watt CMH Projector, and Gimbal Mounting



## Projector Specifications

Description	Merlin Light® Precision optical framing projector
	
Catalog #	MLS-AT-39C-1
Rating	Insulation Contact and Airtite rated per UL 1598 and ASTM E283-04
Housing Shallow HOJ-H2-S	20 Gage, powder coated, steel. Installed by qualified electrician. Orientate ballast toward Art Work.
Access Panel A1	Flush access panel. Cast aluminium mud ring with white primer cover plate. Offset hole.
Lamp and Ballast L4	39 Watt Ceramic Metal Halide Lamp and 39W, 120/277 VAC electronic ballast, non-dimmable. Time delay on hot restart.
Projector P1	Cast aluminum body with black anodize finish. Projector will be supplied and installed by a GlennCo Inc. or factory certified technician. Installer will make final installation and confinement on art object being illuminated.
Mounting M1	Gimble Mount and strap
Lens	Objective lens selected by installation technician.



652 W. Confluence Ave Salt Lake City, UT 84123  
801-312-0150

www.merlinlights.com

\*Copyright Protected, GlennCo INC. 2012

