

# MLS-AT-39C-D-3

includes  
IC/AT Housing, Overlap Access Panel, 39 Watt CMH Projector, and Gimbal Mounting

## Projector Specifications

Description Merlin Light® Precision optical framing projector



Catalog # MLS-AT-39C-3

Rating Insulation Contact and Airtite rated per UL 1598 and ASTM E283-04

Housing 20 Gage, powder coated, shallow steel. Installed by qualified electrician. Orientate HOJ-H2-S ballast toward Art Work.

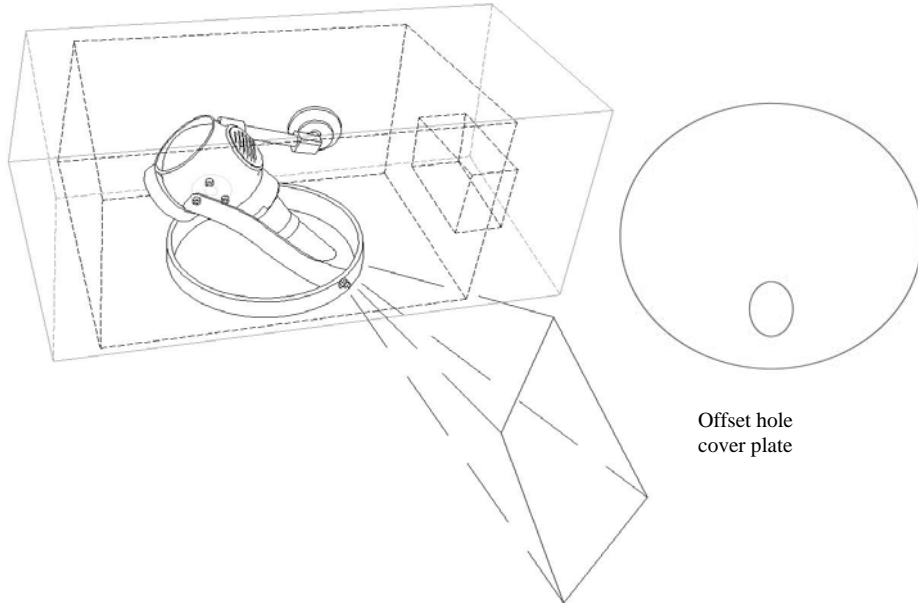
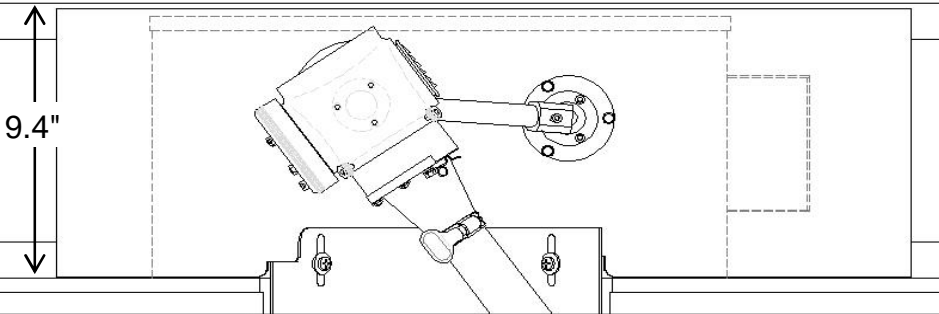
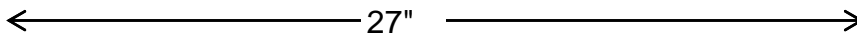
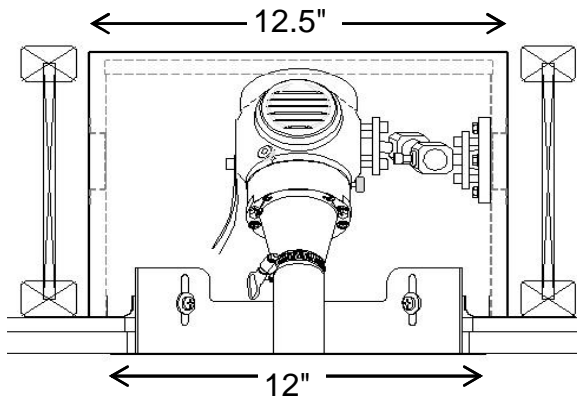
Access Panel A2 Overlap access panel. Steel collar for wood, drop or thick ceilings, with 12", overlapping, white primer cover plate. Offset hole.

Lamp and Ballast L4 39 Watt Ceramic Metal Halide Lamp and 39W, 120/277 VAC electronic ballast, non-dimmable. Time delay on hot restart.

Projector P1 Cast aluminum body with black anodize finish. Projector will be supplied and installed by a GlennCo Inc. or factory certified technician. Installer will make final installation and confinement on art object being illuminated.

Mounting M1 Gimble Mount and strap

Lens Objective lens selected by installation technician.



652 W. Confluence Ave Salt Lake City, UT 84123  
801-312-0150

www.merlinlights.com

\*Copyright Protected, GlennCo INC. 2012

