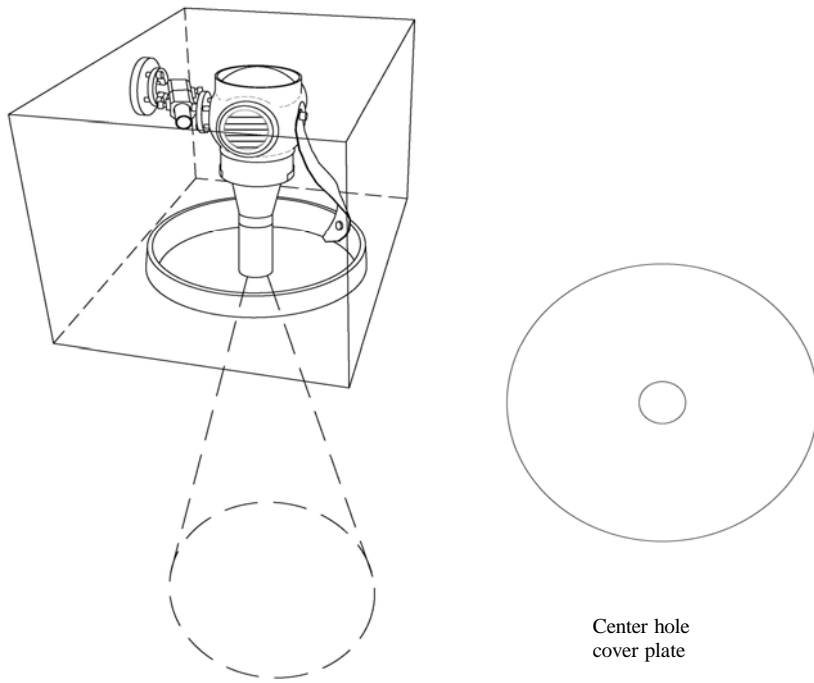
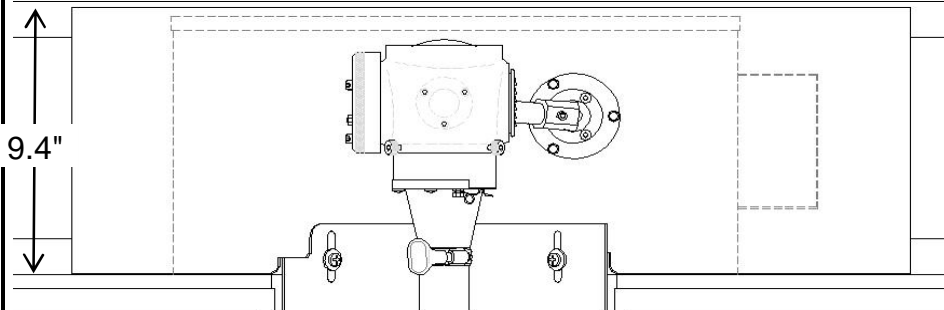
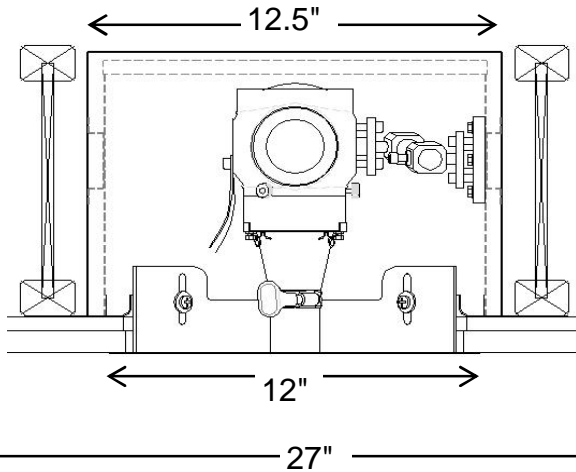



MLS-AT-70C-4

includes
IC/AT Housing, Overlap Access Panel, 70 Watt CMH Projector, and Gimbal Mounting



Projector Specifications

Description	Merlin Light® Precision optical framing projector
	
Catalog #	MLS-AT-70C-4
Rating	Insulation Contact and Airtite rated per UL 1598 and ASTM E283-04
Housing Shallow HOJ-H2-S	20 Gage, powder coated, steel. Installed by qualified electrician. Orientate ballast toward Art Work.
Access Panel A2	Flush access panel. Steel collar for wood, drop or thick ceilings, with 12", overlapping, white primer cover plate. Center hole.
Lamp and Ballast L2	70 Watt Ceramic Metal Halide Lamp and 70W, 120/277 VAC electronic ballast, dimmable to 50%. Time delay on hot restart.
See wiring detail sheet	0-10V wiring and interface required for dimming
Projector P1	Cast aluminum body with black anodize finish. Projector will be supplied and installed by a GlennCo Inc. or factory certified technician. Installer will make final installation and confinement on art object being illuminated.
Mounting M1	Gimble Mount and strap
Lens	Objective lens selected by installation technician.



652 W. Confluence Ave Salt Lake City, UT 84123
801-312-0150

www.merlinlights.com

*Copyright Protected, GlennCo INC. 2012

