

Please read carefully

Installation Instructions for ML-70, MLS-70 and MLS-39 IC/AT Rated Rough-in Housing and A2 Collar Access panels. ©

General Contractor / Dealer:

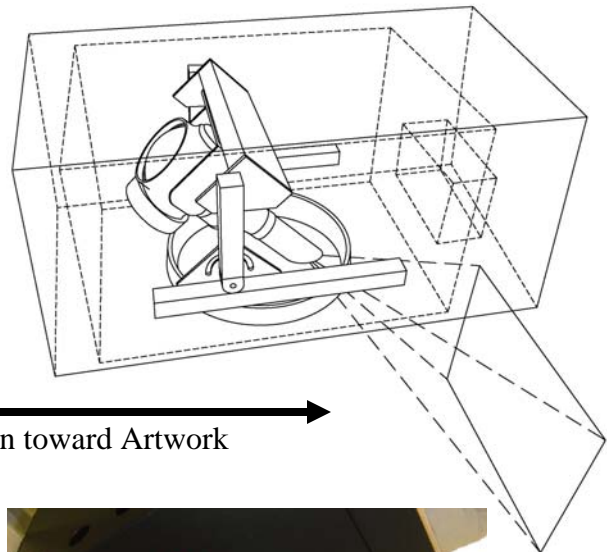
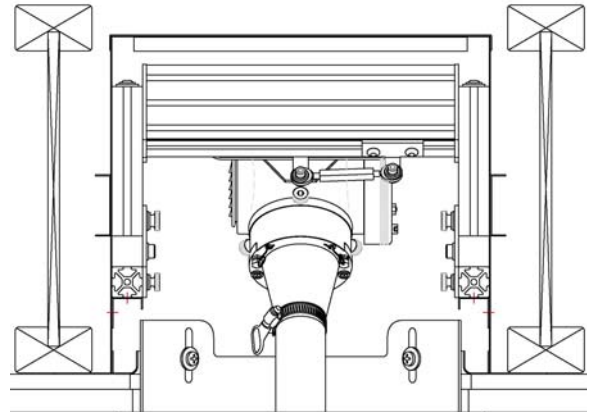
Please pass this information on to drywall contractors and painters so they can allow the extra time involved, ensuring a high quality installation of the A1 and A2 flush ceiling access panel. This is critical. Many times this is overlooked!!

Electrician:

E1. Install housing per lighting designer documentation; verify location and orientation with Merlin Light dealer or factory representative. Housing will fit Joist layout for 16" centers.

E2. See wiring diagram on last page. Orientate the electrical junction box end of enclosure towards art work. Secure between joists with screws thru the mounting flanges attached to the bottom sides of the housing. Install wiring through knock-out hole on the junction box end of the housing nearest art work. Secure wire with airtight junction box connector, leave 20" of wire inside outer housing. Connect color coded wires inside ballast junction box. Allow for a maximum load factor of 250 watts. Field test this circuit.

E3. Access panel should be oriented in the housing so the space between the magnets is toward the artwork



Direction toward Artwork

E4. Loosen the screws on the A2 access panel and lower the collar to be flush with FINISH CEILING Tongue & Groove or flush to whatever ceiling materials are used. Be sure to use a straight edge to level the collar to be flush and parallel to the FINISH CEILING. Tighten screws securely but not too tight to pull the ring out of round or cover may not fit.



4525 S. Wasatch Blvd., Suite 310
Salt Lake City, UT. 84124
801-274-1894 Fax 801-274-9610
Glenncoinc.com

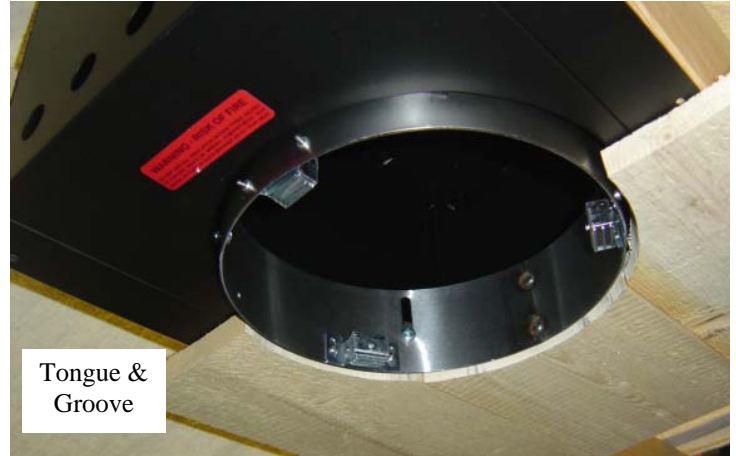


Please read carefully

Installation Instructions for ML-70, MLS-70 and MLS-39 IC/AT Rated Rough-in Housing and Collar Access panels. ©

Finish Ceiling:

D1. Contractor to bring ceiling finish material to within 1/4 of an inch of the collar. **Caution:** Over-size, cutting will not allow the Cover Plate to hide the crack. Make sure the Access Panel Collar is flush with the finish ceiling; if not follow instructions in **E4**.



D2. The Access Panel Collar works equally as well with Ceiling Tile, or Sheet Rock.



D3. Clean up the magnets and check for proper seating so the cover plate can be held in securely and flush. When finished attach safety cable with screws provided on the ring and panel. **SAFETY CABLE MUST BE IN PLACE AT ALL TIMES TO PREVENT POSSIBLE SERIOUS INJURIES OR PROPERTY DAMAGE DUE TO FALLING COVER PLATE!**



4525 S. Wasatch Blvd., Suite 310
Salt Lake City, UT. 84124
801-274-1894 Fax 801-274-9610
Glenncoinc.com



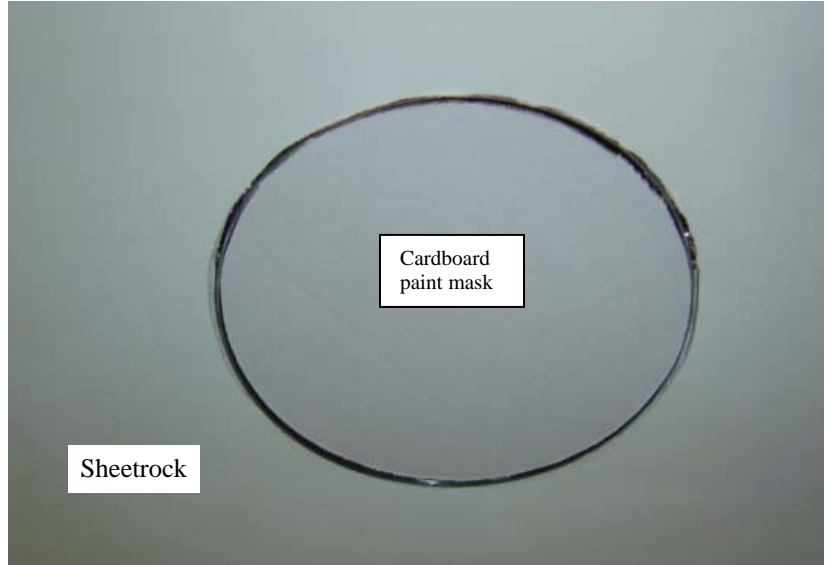
Please read carefully

Installation Instructions for ML-70, MLS-70 and MLS-39 IC/AT Rated Rough-in Housing and Collar Access panels. ©

Painter:

P1. Mask off hole in Access Panel so paint does not enter housing. The ceiling can now be painted. Use cardboard Paint Mask blank provided inside housing. Remove paint mask while paint is still damp.

P2. It is best to paint the cover plate separately and then re-install it when the paint is dry. If painted in place, paint fills the groove and the cover plate can not be removed without damage to finished ceiling. When you remove the Cover Plate and Safety Cable store them in a safe place so they will not be bent or damaged.



Insulation:

I1. The outer Housing is airtight and rated (IC) for Insulation Contact.

Dealer:

D1. When the interior is finished and all art work is in place, a factory trained technician will install the “Merlin Light” projectors, complete with final adjustment and confinement . This completes the installation.



4525 S. Wasatch Blvd., Suite 310
Salt Lake City, UT. 84124
801-274-1894 Fax 801-274-9610
Glenncoinc.com

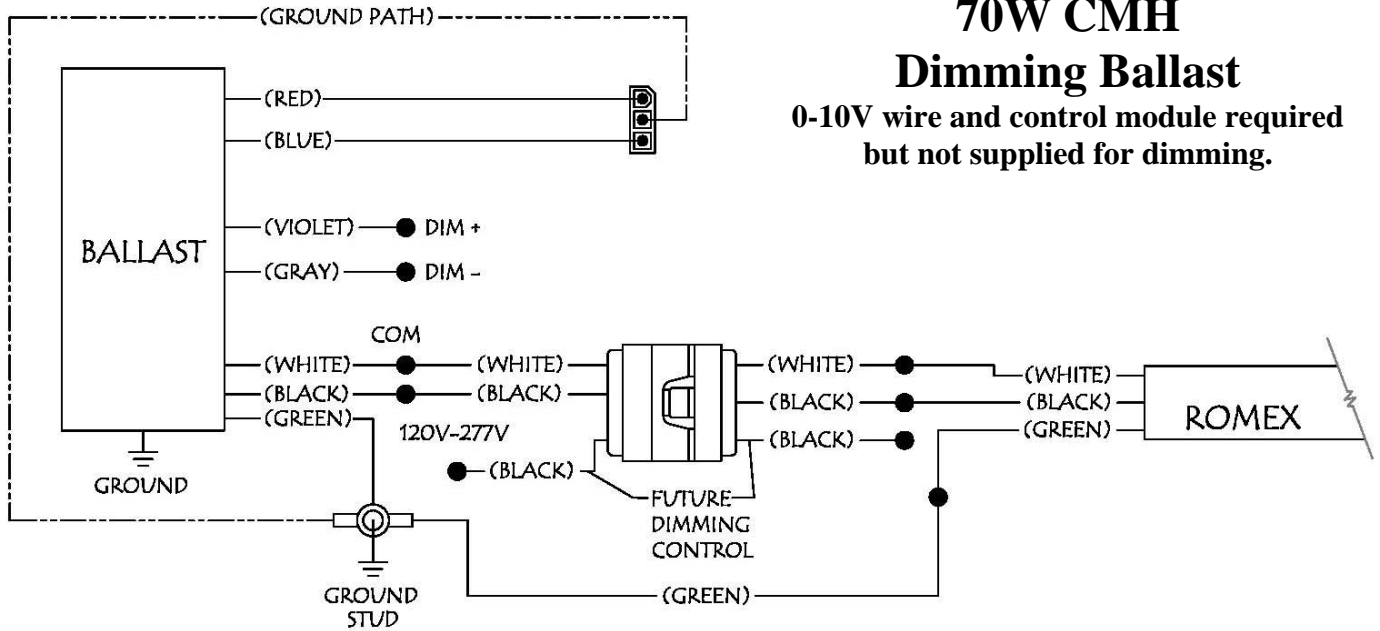


A GLENN JOHNSON COMPANY

70W CMH

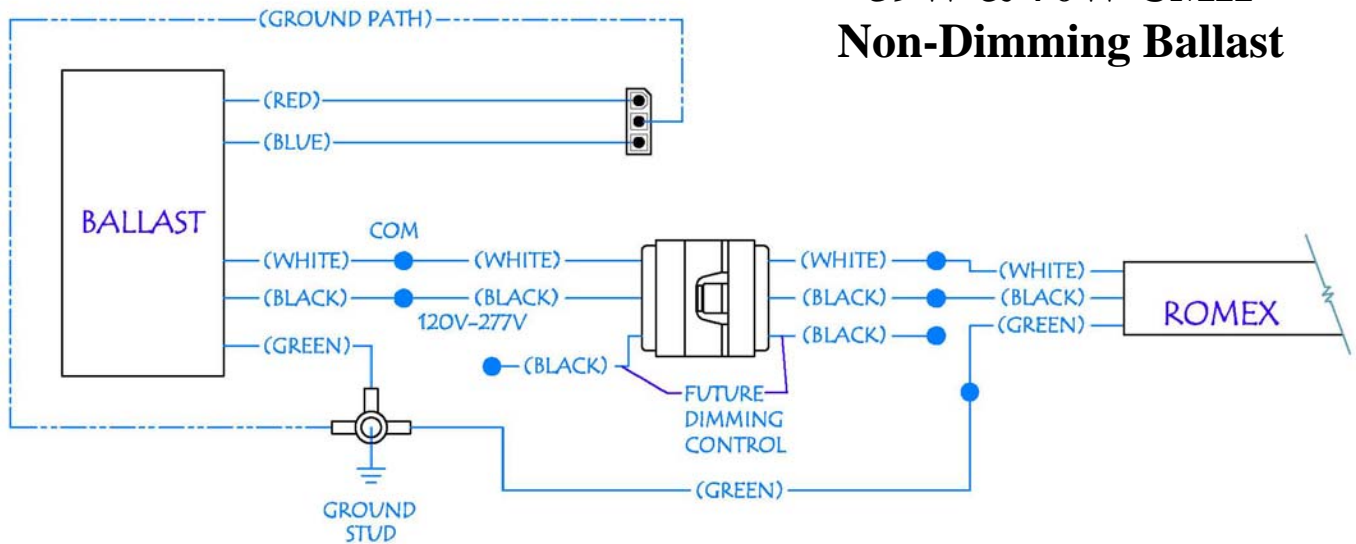
Dimming Ballast

0-10V wire and control module required but not supplied for dimming.



WIRING DIAGRAM

39W & 70W CMH Non-Dimming Ballast



WIRING DIAGRAM



4525 S. Wasatch Blvd., Suite 310
Salt Lake City, UT. 84124
801-274-1894 Fax 801-274-9610
Glenncoinc.com

