

Please read carefully

Installation Instructions for ML-70, ML-150 and ML-250 NON IC Rough-in Housing and A1 Mudring Access panels. ©

General Contractor / Dealer:

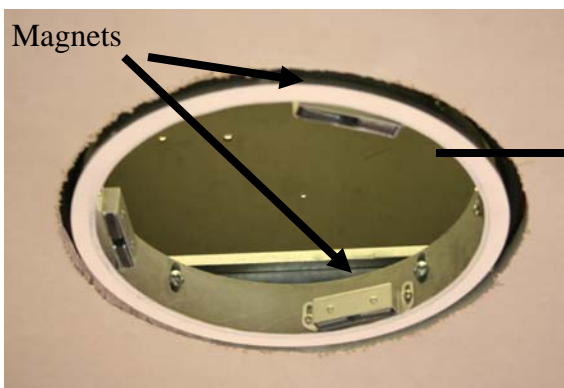
Please pass this information on to drywall contractors and painters so they can allow the extra time required, ensuring a high quality installation of the A1 ceiling access panel. This is critical and is many times overlooked!!

Electrician:

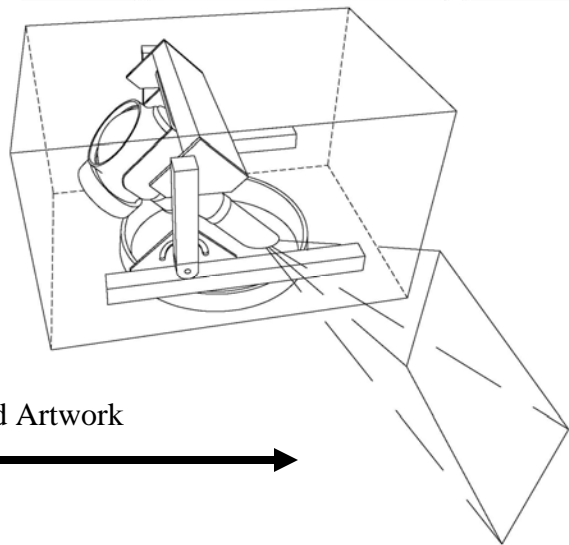
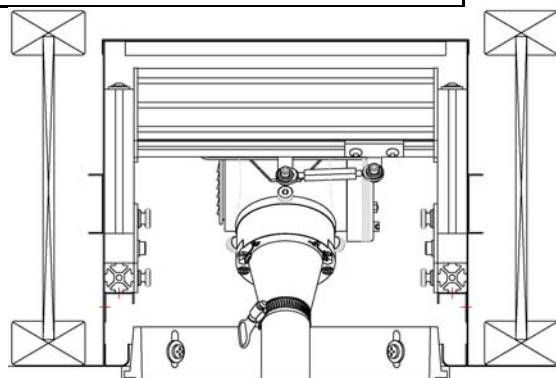
E1. Install housing per lighting designer documentation; verify location and orientation with Merlin Light dealer or factory representative. Housing will fit joist layout for 16" centers.

E2. See wiring diagram on last page. Orientate the electrical junction box end of enclosure towards art work. Secure between joists with screws thru the mounting flanges on the bottom sides of the housing. Install wiring through knock-out hole on the junction box end of the housing nearest art work. Secure wire with junction box connector; connect color coded wires inside junction box. Use airtight connector if outer airtight housing is used and leave a 20" pigtail to make connection. Allow for a maximum load factor of 250 watts. Field test this circuit.

E3. Access panel should be oriented in the housing so the space between the magnets is toward the artwork



E4. Loosen the screws on the A1 access panel and lower the mud ring to be flush with FINISH CEILING drywall or flush to whatever ceiling materials are used. Be sure to use a straight edge to level the ring to be flush and parallel to the FINISH CEILING. Tighten screws securely but not too tight to pull the ring out of round or cover may not fit.



4525 S. Wasatch Blvd., Suite 310
Salt Lake City, UT. 84124
801-274-1894 Fax 801-274-9610
Glenncoinc.com



Please read carefully

Installation Instructions for ML-70, ML-150 and ML-250 NON IC Rough-in Housing and Ceiling Access panels ©

Drywall:

D1. Drywall contractor to bring drywall to within 3/8 of an inch of the ring and bevel edge. Make sure the Access Panel Ring is flush with the sheet rock; if not follow instructions in **E4**.

D2. The remaining crack should be filled to 1/16 below the surface with a gypsum plaster patching compound. This will provide a permanent bond between the edge of our access panel ring and the edge of the adjoining drywall. **DO NOT USE Sheetrock Compound** as it will crack away in time. **Do not use drywall tape** over this joint as it will not stick to the aluminum ring. It also causes too much build up, which would prevent the cover plate from flushing out with the ceiling. After the plaster is cured fill remaining void with sheetrock topping compound.

D3. This area can now be sanded smooth. If properly done, you will never be aware of this joint, only the .010" seam around the cover plate which is minimal. Cleanout the recessed cover groove, clean up the magnets and check for proper seating so the cover plate can be held in securely and flush. When finished attach safety cable with screws provided on the ring and panel. **SAFETY CABLE MUST BE IN PLACE AT ALL TIMES TO PREVENT POSSIBLE SERIOUS INJURIES OR PROPERTY DAMAGE DUE TO FALLING COVER PLATE!**



4525 S. Wasatch Blvd., Suite 310
Salt Lake City, UT. 84124
801-274-1894 Fax 801-274-9610
Glenncoinc.com



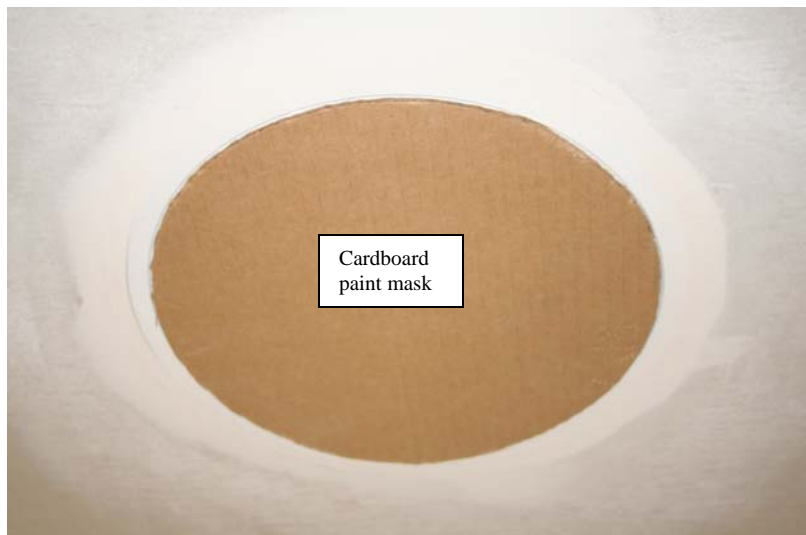
Please read carefully

Installation Instructions for ML-70, ML-150 and ML-250 NON IC Rough-in Housing and Ceiling Access panels ©

Painter:

P1. Mask off hole in Access Panel so paint does not enter housing. The ceiling can now be painted out. Use Cardboard Paint mask blank provided inside housing. Remove paint mask while paint is still damp.

P2. It is best to paint out the cover plate separately and then re-install it when the paint is dry. If painted in place, paint fills the groove and the cover plate can not be removed without damage to finished ceiling. When you remove the Cover Plate and Safety Cable store them in a safe place so they will not be bent or damaged.



Insulation:

I1. The H1 Housing is not Airtight and is not rated for Insulation Contact (IC). For Airtight rating H1 Housing must be enclosed in sheetrock per IECC Code or installed inside HOA or HOJ Housing.

Dealer:

D1. When the interior is finished and all art work is in place, a factory trained technician will install the “Merlin Light” projectors, complete with final adjustment and confinement . This completes the installation.

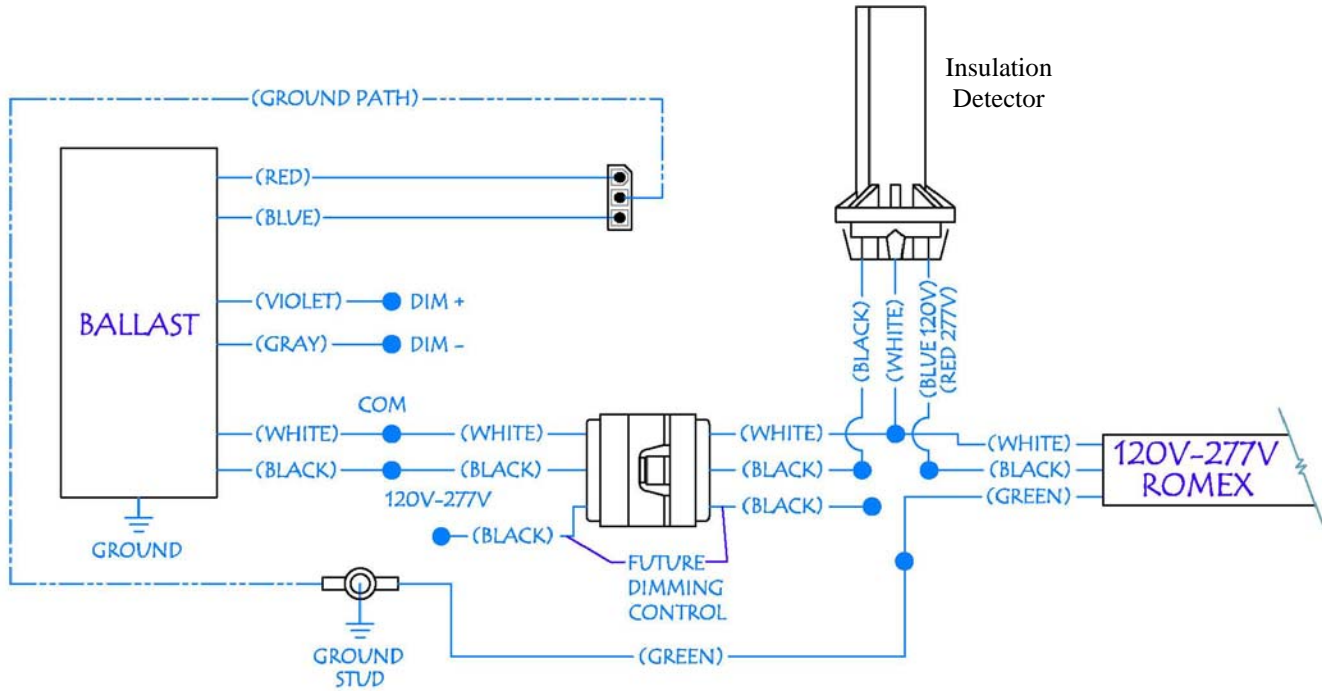


4525 S. Wasatch Blvd., Suite 310
Salt Lake City, UT. 84124
801-274-1894 Fax 801-274-9610
Glenncoinc.com

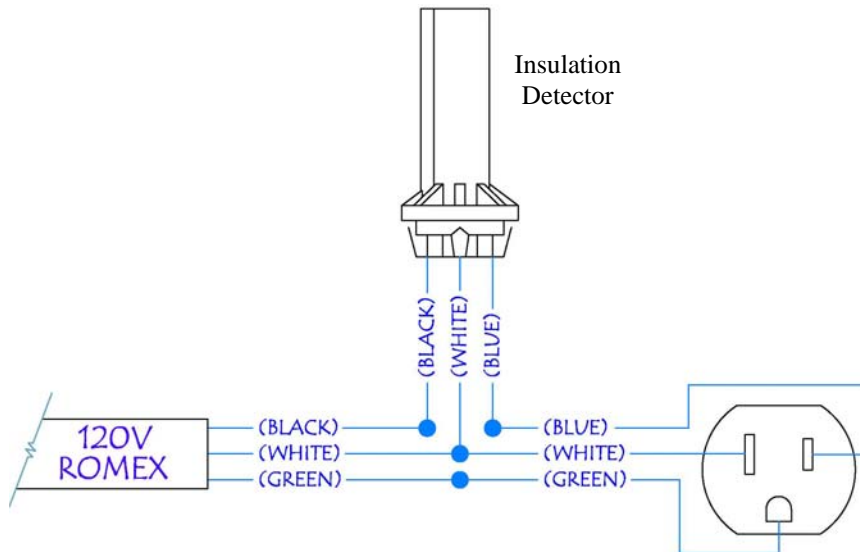


Wiring for 70W and 150W CMH Dimming Ballast

0-10V wire and control module required
but not supplied for dimming.



Wiring for 250W Halogen



4525 S. Wasatch Blvd., Suite 310
Salt Lake City, UT. 84124
801-274-1894 Fax 801-274-9610
Glenncoinc.com

